

TIMBERLOOK FLUSH SASH

TRADITION + TECHNOLOGY



A Deep Bottom Rail and Square Cut Frame Construction replicate the traditional features of high quality timber windows.

The Best of Both Worlds

If PVC-U had been available to builders in the past, they would have used it. No one disputes the beauty of timber, but it has drawbacks. In the wet, it can swell. In dry conditions, it can shrink. It can warp or twist and whatever else you do, you'll always have to find the time to take good care of it. Imagine never having to paint a window. Imagine never having a window already welded shut with layers of paint.

TRADITION + TECHNOLOGY

PVC-U windows are tough, durable and insulating. They need hardly any maintenance. They open easily and when they're closed, they are secure. **Timberlook** Flush Casement windows replicate the appearance of traditional wooden frames: the delicate curves, detailing and trims, even the colours, grain and texture, but there's more on offer than good looks. Multi-chambered frames are secure and strong, advanced seals block the weather, high-specification glazing provides thermal and acoustic insulation. We don't believe in 'either/or' - we know you can have traditional style and 21st century performance.



A Deep Bottom Rail and Square Cut Frame Construction replicate the traditional features of high quality timber windows.

Timberlook sightlines are spot on. Our Flush Casements have perfectly balanced dummy sashes and include mechanical jointing to replicate the appearance of timber frame construction. A fully mechanically jointed system is not welded, so there are no unsightly welds. There is a great selection of period colours and wood-effect finishes, including a timber-grained, white or cream painted effect.

Timberlook colours also include a Smooth Anthracite 7016 Grey finish which matches the most popular Aluminium Bi-fold Door colour.



The Best of Both Worlds

We're fortunate to have a rich tradition and history. It's reflected in our buildings which show the changing trends in architecture and the development of the craftsmen's skills. Our diverse geology is shown in the materials we've used: rich red clays, soft grey limestone, Welsh slate, crystalline granite, and sharp, scalloped flints. Every bit of our past is precious because it's made us who we are.

Every era has its own revolutionaries: those who break the mould, strike out, create a building that redefines a home. When that happens, the rules change. Tall buildings become wide buildings, rich becomes simple, and texture and colour replace detail and ornament. The inspirational architects who have shown such vision have made our culture richer and have opened our eyes to new possibilities.

TRADITION + TECHNOLOGY

There's a fine line between preserving our heritage and being stuck in the past. Many planning authorities recognise this and although there are a few cases where original materials are the only acceptable option, these are becoming fewer and further apart. Conservation areas and even listed buildings now have their share of PVCu windows.

The reasons are simple: the appearance has been perfected. **Timberlook** PVC-U Flush Casement windows are virtually indistinguishable from timber but have two major advantages. Firstly, they are more affordable and can make a huge improvement to the comfort and appearance of a property where timber alternatives may be prohibitively expensive. Secondly, their insulating qualities, easy maintenance and recyclability make them an environmentally-friendly alternative.





TRADITION + TECHNOLOGY

Let's get the jargon out of the way. A casement is simply a window held on hinges in a frame.

In the UK where external shutters are rare, the vast majority of casements open outwards. Within casements, there are various styles. The **Timberlook** Flush Sash fits inside the frame so the window does not have the look of a standard PVCu Window.

The Best of Both Worlds

It's a design that is elegant in its simplicity and is found in all sorts of traditional properties, from all periods. What's more, the lines are understated which makes them ideal for more contemporary properties which rely on minimalist styling. **Timberlook** Flush Casements replicate the timber original's appearance to perfection but go well beyond in terms of thermal performance and weathering capability. Now it's possible to have the look you want and the comfort you need. Now it's possible to combine charm and security, character and ease of maintenance. It's tradition with new technology.



Lines and Proportions

We've thought of it all: the right-sized frame with the right-sized window, and transoms, mullions and dummy sashes that create the authentic appearance and lines of a traditional flush casement. The shape is chamfered on the outside to shed the rain, and has a sculptured shape for indoors.



Shades and Textures

Colours and wood finishes have been carefully selected to complement different building materials, periods and environments. There are soft, subtle shades: delicate creams and greens, striking greys and a host of timber effects.



Handles and Stays

We couldn't let our hardware let us down! The traditional appearance was a must, so even though our Flush Casements have their own friction hinges, we've got dummy peg stays and gorgeous, monkey-tail handles all finished the way you'd expect, with period colours and a craftsman's attention to detail.



The Best of Both Worlds

Even though our materials are modern and our technology advanced, we've not rejected the best of our traditions. We're as proud of our history as you are of your beautiful home, but we know that your comfort, security, carbon footprint and sustainability are important too, even if you live in a stunning historic home.

Timberlook Flush Casement window systems are made in Great Britain by a business that's respected for its methods and its quality, and which employs many of the industry's leading designers and manufacturing experts. It delivers the best of innovation whilst maintaining respect for the architecture and buildings of the past.

TRADITION + TECHNOLOGY

The colours and finishes in the range allow you to match the style and fashions of any era with shades chosen to complement different types of brick, stone and render and a range of wood effects including oaks and rosewood grains.

For more modern homes, there are smart greys with flat surfaces and for black and white timber-framed houses a deep, dark colour that's almost black. For a Georgian townhouse, choose a crisp painted-white finish, or reflect your rural surroundings with softer, more-muted colours. And if you want to match your interior décor or features, our dual-colour options might be the answer you're looking for.

With different sizes and shapes of glazing bar, you can recreate your home's original window style or throw caution to the wind and get creative. Our glazing bars fit perfectly onto the surface of the glass, indoors and outdoors, keeping the efficiency of a single glazing unit.

Timberlook Flush Casement windows are designed to deliver fantastic thermal performance using 24mm sealed-unit double glazing. The overall energy efficiency is dependent upon the actual glass, the construction of the sealed unit, the gas used to fill it and the ratio of glass to frame. We'll work with you to find the best combination for your home and how you use it.





The **Timberlook** flush casement window is available as standard with contemporary handles internally, but can be enhanced with our Premium Regency Furniture including a Dummy Stay, Monkey-tail Handle or a Teardrop handle. The Premium ironmongery has all the charm of craftsman made original fittings. There is a choice of finish to blend with, or accent, your choice of window colour. They have security built in - features like key-locking handles, which secure all around the frame, sash locks, and child safety restrictors.

Shape

This system has been developed to offer as much choice of individual style as possible whilst still retaining the authentic proportions and designs of historic windows. Our chamfered edges replicate authentic putty lines, our ovolo detailing is precise and our sculptured option a perfect representation of the carpenter's skill.

Standard Handles



Premium Regency Furniture



a



b



c



- a. Premium Regency Monkey-Tail Handle
- b. Premium Regency Teardrop Handle
- c. Premium Regency Dummy Stay

Colour & Handle Options

Timberlook Flush Casement Windows are available in a range of standard colours and the matrix below shows how the lead time is affected when ordering combinations of these colours for inside/outside.

		Outside										
		Flat White	White Grained	Black Grained	Irish Oak	Anthracite Grained	Anthracite Smooth	Chartwell Green	Cream Foil (9001)	Rosewood	Cotswold Grey	
Inside	Flat White	S	S	S	S	S	S	S	S	S	S	
	White Grained	n/a	S	E	E	E	E	E	E	E	E	
	Black Grained	n/a	n/a	E	n/a	n/a	n/a	n/a	n/a	n/a	n/a	
	Irish Oak	n/a	n/a	n/a	S	n/a	n/a	n/a	n/a	n/a	n/a	
	Anthracite Grained	n/a	n/a	n/a	n/a	E	n/a	n/a	n/a	n/a	n/a	
	Anthracite Smooth	n/a	n/a	n/a	n/a	n/a	E	n/a	n/a	n/a	n/a	
	Chartwell Green	n/a	n/a	n/a	n/a	n/a	n/a	E	n/a	n/a	n/a	
	Cream Foil (9001)	n/a	n/a	n/a	n/a	n/a	n/a	n/a	E	n/a	n/a	
	Rosewood	n/a	n/a	n/a	n/a	n/a	n/a	n/a	n/a	S	n/a	
	Cotswold Grey	n/a	n/a	n/a	n/a	n/a	n/a	n/a	n/a	n/a	n/a	

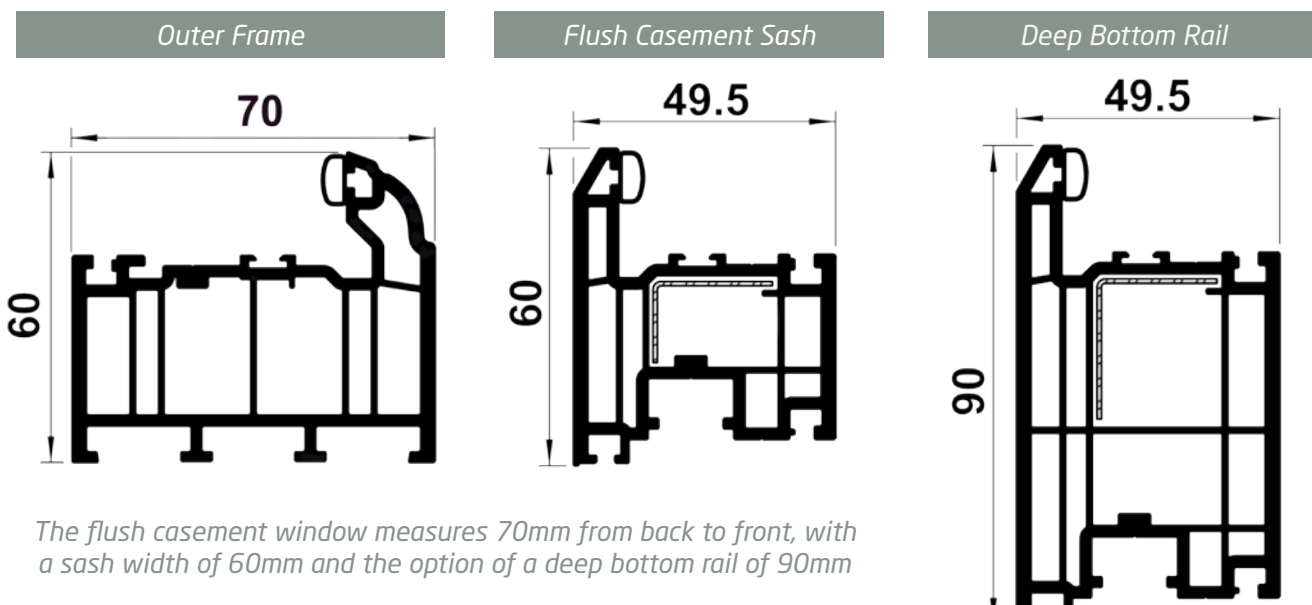
S: Standard Manufacturing Time E: Extended Manufacturing Time

Standard Handle Colours

White, Gold, Satin Gold, Antique Black, Chrome, Satin Silver

Premium Regency Furniture

Teardrop Antique Black, Chrome, Satin Silver, Gold
 Monkey Tail Antique Black, Chrome, Satin Silver, Gold
 Dummy Stays Antique Black, Chrome, Satin Silver, Gold





TIMBERLOOK FLUSH SASH

The Best of Both Worlds